

The BS-633AT is wall mount speaker made of ABS resin and can be hooked or mounted directly on the wall. The push-in type input terminal makes cable connections easy and allows bridge wiring. The input impedance can be easily changed by changing the tap position of the transformer from the rear side of the speaker. The BS-633AT has a built-in attenuator and can be connected to a 2-wire and 3-wire systems.

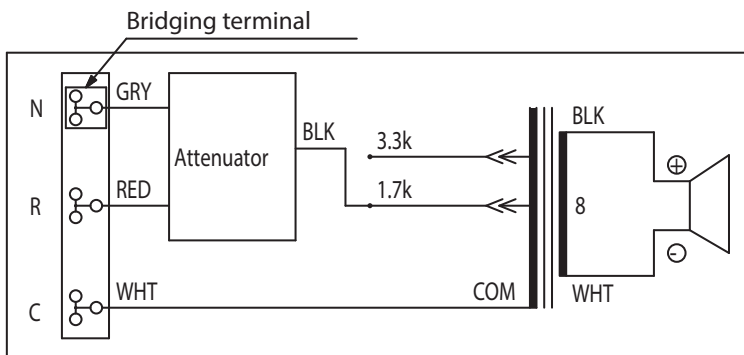
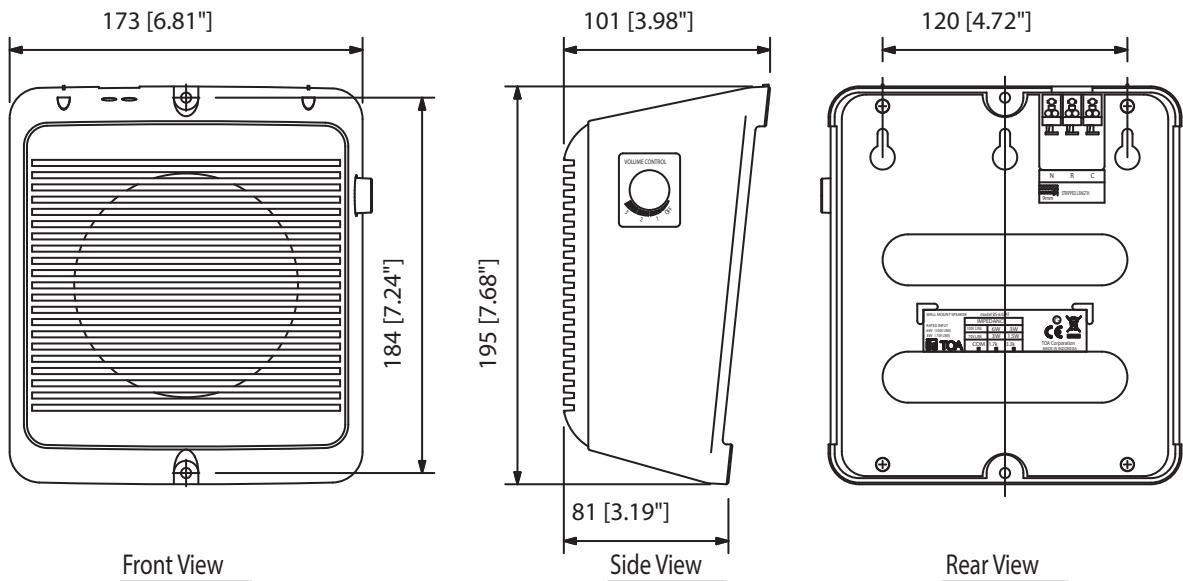


Article number:BS-633AT  
Alternative products: BS-633A

## Specifications

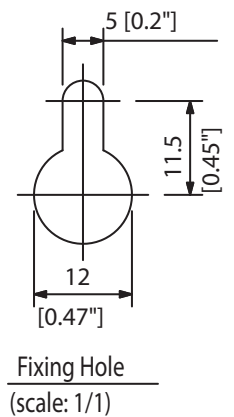
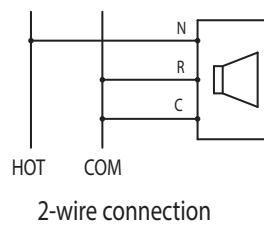
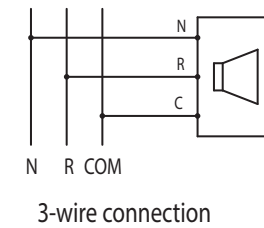
Dimensions (W x H x D)	173 x 195 x 101 mm
Dimensions (ø x D)	x 101 mm
Finish	ABS resin, off-white (RAL 9010 or equivalent),
Operating temperature	- 10 °C to +50 °C (14 °F to 122 °F)

### Appearance



(Transformer connection when the speaker is supplied from the factory)

(Note) Use transformer terminals when changing input impedance.



UNIT:mm

SCALE:1/4