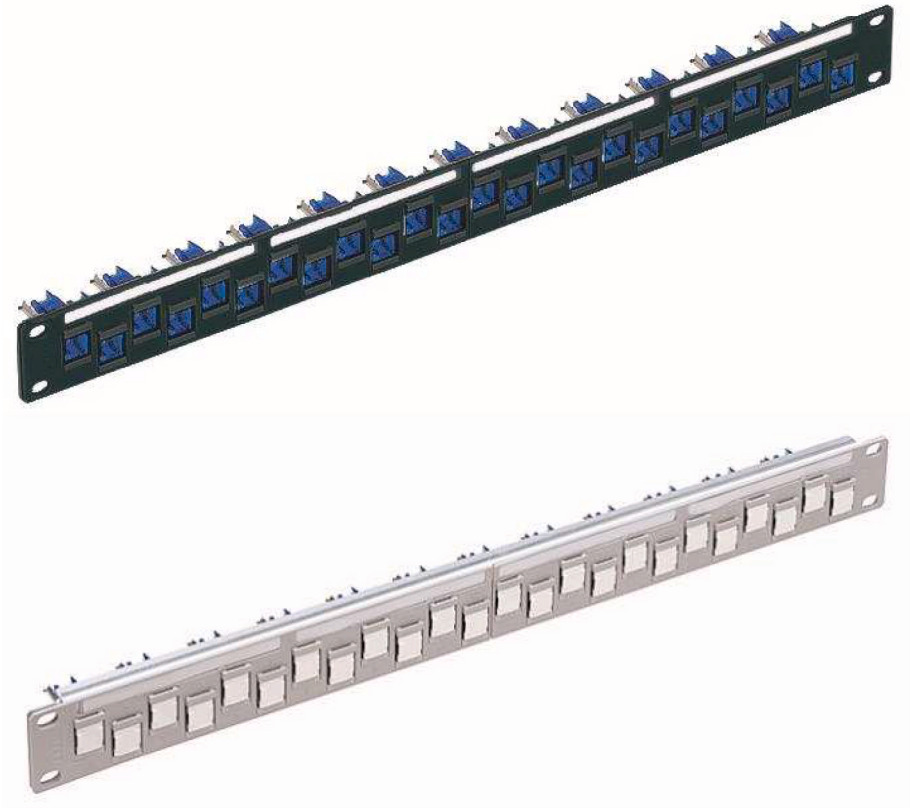


Technical Datasheet



R&M 19" 1U 24-Port Patch Panel BASIC

19" 1U 24-Port Patch Panel BASIC

R&M's 19" 1U patch panel BASIC with 24 ports is perfect for smaller high-density applications. The patch panel is available in both empty and fully equipped unshielded version. Thanks to a special adapter unit, it accommodates the widely used quality-proven RJ45 connection modules from R&M.

Features

Individual termination of each module
Mechanical locking of the snap-in adapter by means of the coding clip
Color coding through snap-in coding clip with 8 colors to choose from
Labeling window plus exchangeable labeling strips
A4 labeling sheet allows individual labeling

Technical Data

Overall dimensions	19", 1U
Patch panel	sheet steel, galvanized and blue passivated
Snap-in adapter material	polycarbonate
Front screen material	ABS
Front screen color	median gray/NCS 2502-B
Snap-in adapter basic color	gray/RAL 7035
Coding clip material	polypropylene
Coding clip basic color	gray/ RAL 7035
Halogenated	no (in accordance with DIN/VDE 0472/815)
Fire classification snap-in adapter	UL94V-0
Fire classification front screen	UL94HB
Fire classification coding clip	UL94HB

19" 1U 24-Port Patch Panel BASIC

The 1U 24-port patch panel is available in empty, Cat.5e and Cat.6 unshielded.

Part Number	Description
R795454	19" 1U PP 24-Port BASIC empty, Gray
R795465	19" 1U PP 24-Port BASIC empty, Black
R795455	19" 1U PP BASIC Cat.6 24XRJ45/u, Gray
R795456	19" 1U PP BASIC Cat.6 24XRJ45/u, Black
R795457	19" 1U PP BASIC Cat.5e 24XRJ45/u, Gray
R795458	19" 1U PP BASIC Cat.5e 24XRJ45/u, Black

Snap-in Coding Clip

The snap-in coding clip is offered in eight different colors for color coding purposes.

Part Number	Color	RAL Number
302156	Violet	RAL 4008
302153	Brown	RAL 8003
302158	Yellow	RAL 1018
302157	White	RAL 9010
302151	Anthracite gray	RAL 7016
302152	Blue	RAL 5017
302154	Green	RAL 6029
302155	Red	RAL 3001

Drawings

